

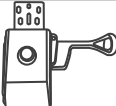








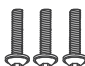

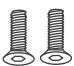
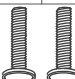


A63 INSTALLATION GUIDE

	A		B		C		D		E		F	
	G		H			I (6*16MM)*4		J		K (M6*16)*4		L (M8*20)*3
	M (8*22MM)*2			N (M6*16)*2			O (M8*50)*2					

